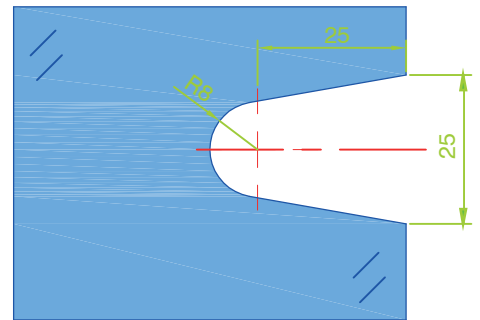


Glass Preparation Suggest # 1.



Glass Preparation Suggest # 2.