



**C.R. LAURENCE CO., INC.**  
PROFESSIONAL QUALITY

## Specifications:

**Material:** Solid brass

**Glass Thickness Range:** 3/8" (10mm) to 1/2" (12mm)

**Hole Size Required:** 5/8" (16mm) or 3/4" (19mm)

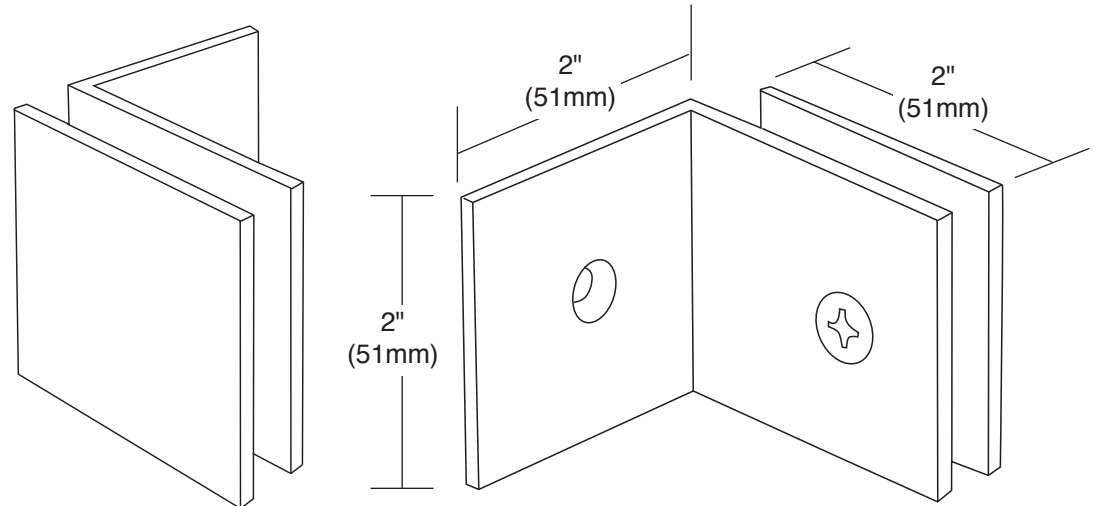
**Includes:** Mounting screw and gaskets

Template Shown on Next Page

# GLASS CLAMPS

Square with Large Leg

CAT No. **SGC039**



Front View

Rear View

## Specifications:

**Material:** Solid brass

**Glass Thickness Range:** 3/8" (10mm) to 1/2" (12mm)

**Hole Size Required:** 5/8" (16mm) or 3/4" (19mm)

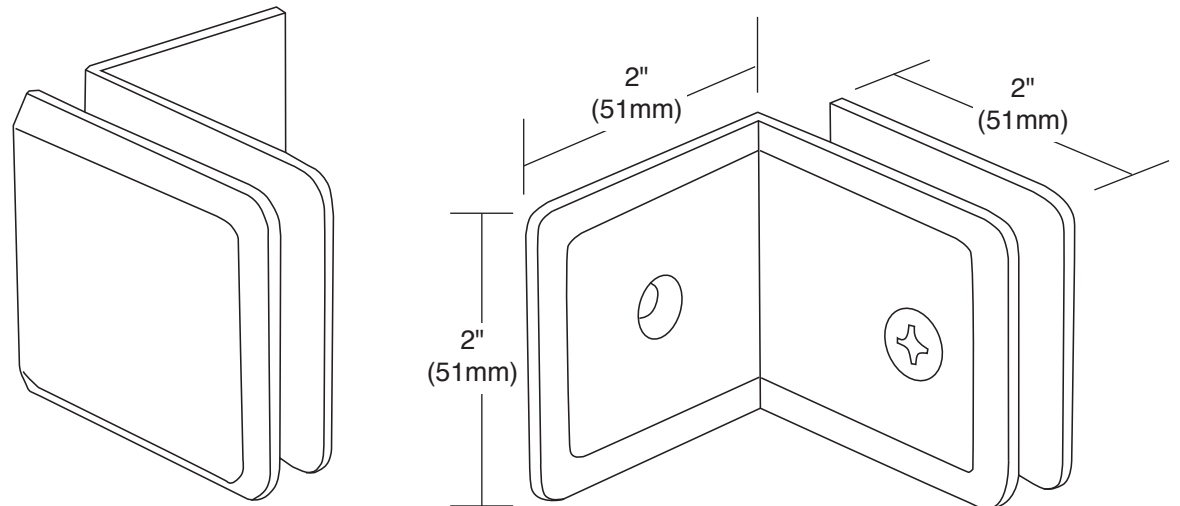
**Includes:** Mounting screw and gaskets

Template Shown on Next Page

# GLASS CLAMPS

Beveled with Large Leg

CAT No. **BGC039**



Front View

Rear View

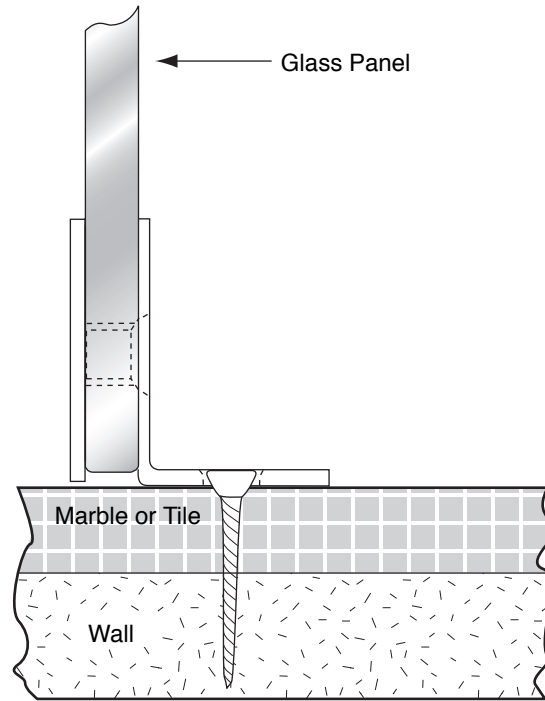
C.R. Laurence Co., Inc.  
 crlaurence.com

For technical assistance in the United States call toll free (800) 421-6144; from Canada call toll free (877) 421-6144; Outside the U.S. and Canada call (323) 588-1281. Ask for Tech Sales at Extension 7740. Toll free fax (800) 458-7496.

© Copyright 2009, C.R. Laurence Co., Inc\_SDT21\_US

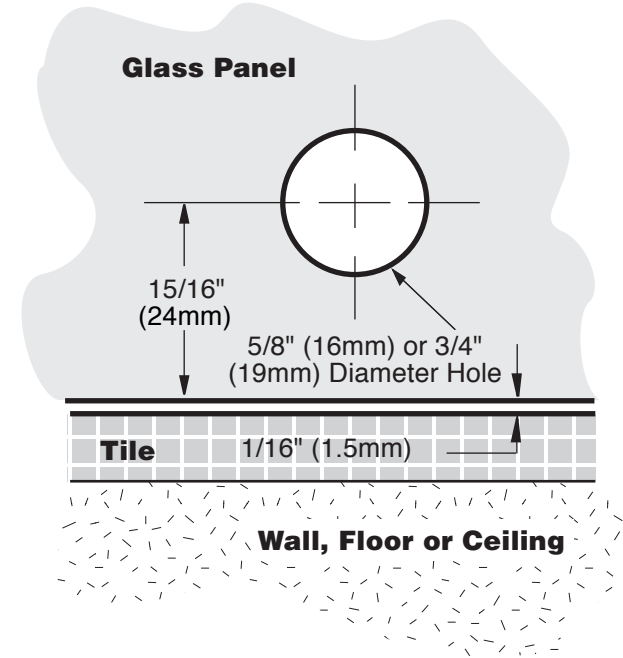


## TYPICAL INSTALLATION



## TEMPLATE

**Important:** Project measurements from the edge of the glass.



## GLASS CLAMPS

THE TEMPLATE ON THIS PAGE APPLIES TO THE FOLLOWING CLAMPS:

Square with Large Leg  
**CAT. No. SGC039**

Beveled with Large Leg  
**CAT. No. BGC039**

