



C.R. LAURENCE CO., INC.
PROFESSIONAL QUALITY

Specifications:

Material: Solid brass

Glass Thickness Range: 3/8" (10mm) to 1/2" (12mm)

Hole Size Required: 5/8" (16mm) or 3/4" (19mm)

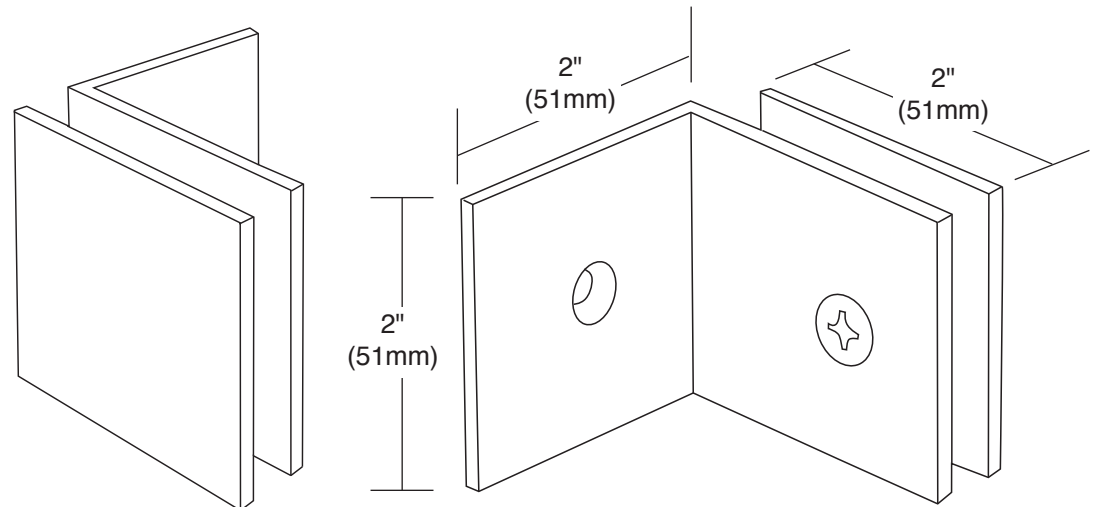
Includes: Mounting screw and gaskets

Template Shown on Next Page

GLASS CLAMPS

Square with Large Leg

CAT No. SGC039



Front View

Rear View

Specifications:

Material: Solid brass

Glass Thickness Range: 3/8" (10mm) to 1/2" (12mm)

Hole Size Required: 5/8" (16mm) or 3/4" (19mm)

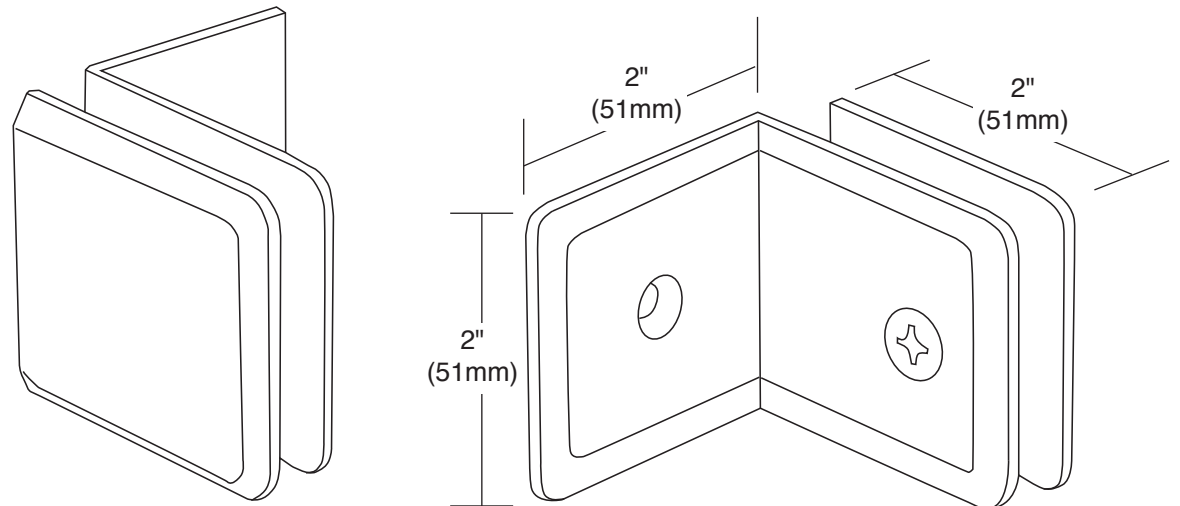
Includes: Mounting screw and gaskets

Template Shown on Next Page

GLASS CLAMPS

Beveled with Large Leg

CAT No. BGC039



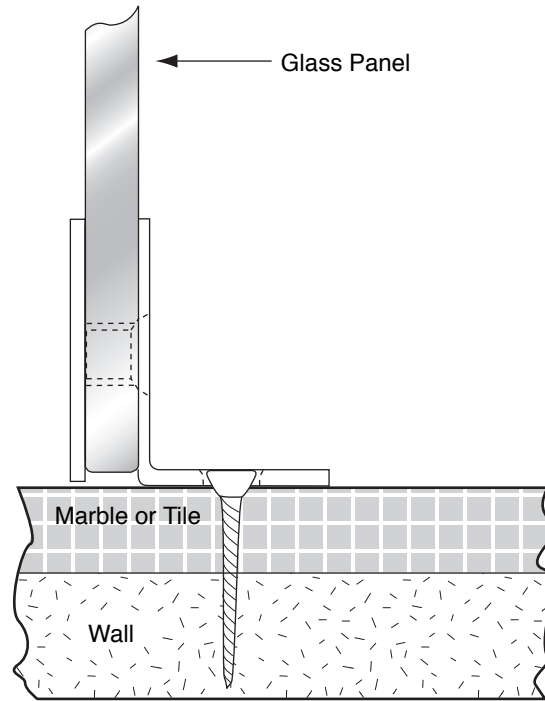
Front View

Rear View



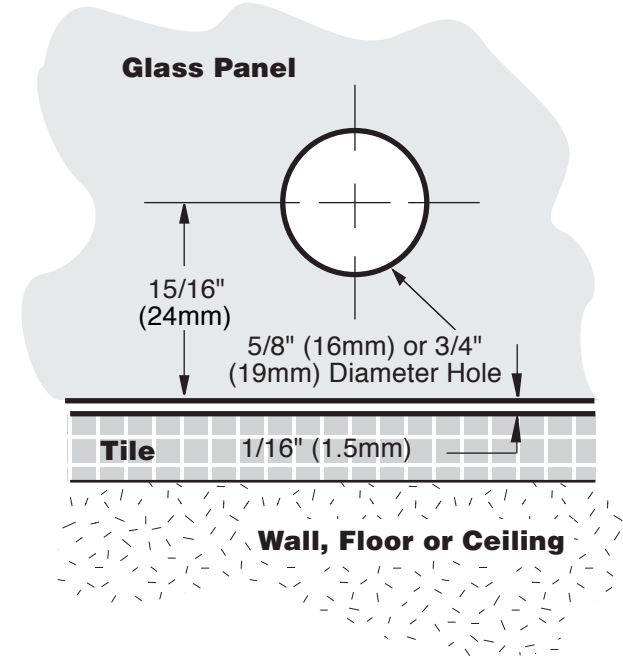
C.R. LAURENCE CO., INC.
PROFESSIONAL QUALITY

TYPICAL INSTALLATION



TEMPLATE

Important: Project measurements from the edge of the glass.



GLASS CLAMPS

THE TEMPLATE ON THIS PAGE APPLIES TO THE FOLLOWING CLAMPS:

Square with Large Leg
CAT. No. SGC039

Beveled with Large Leg
CAT. No. BGC039

