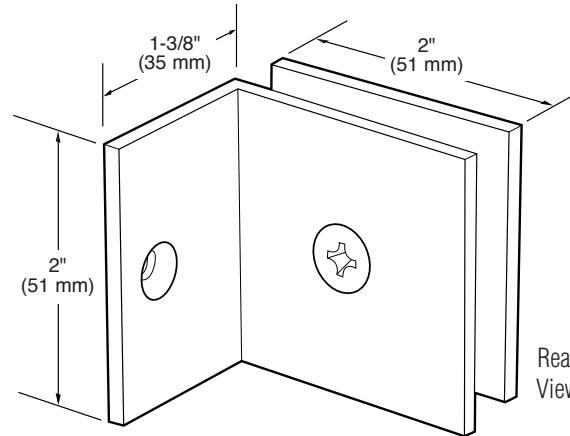
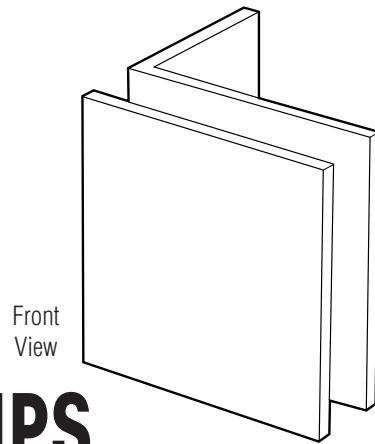




**C.R. LAURENCE CO., INC.**  
PROFESSIONAL QUALITY



## GLASS CLAMPS

Fixed Panel Square with Small Leg

CAT No. **SGC037**

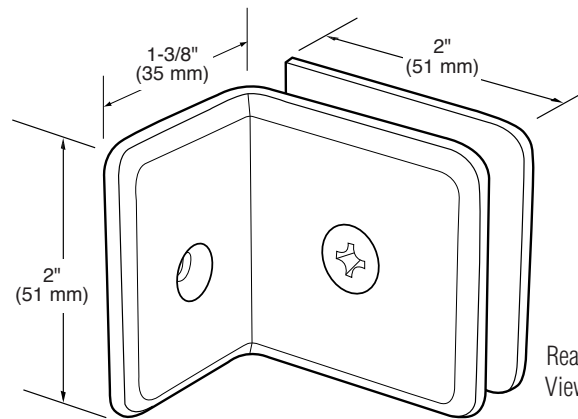
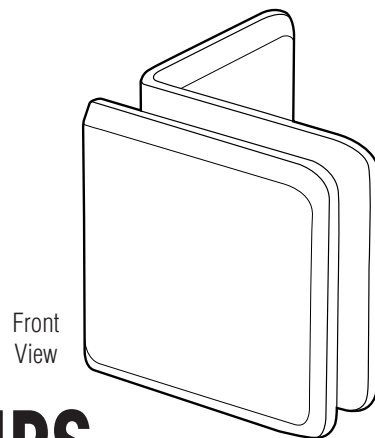
## Specifications:

**Material:** Solid brass

**Glass Thickness Range:** 3/8" (10 mm) to 1/2" (12mm) thick glass

**Hole Size Required:** 5/8" (16mm) or 3/4" (19mm) diameter

**Includes:** Mounting Screws and Gaskets  
**Templates Shown on Next Page**



## GLASS CLAMPS

Fixed Panel Beveled with Small Leg

CAT No. **BGC037**

## Specifications:

**Material:** Solid brass

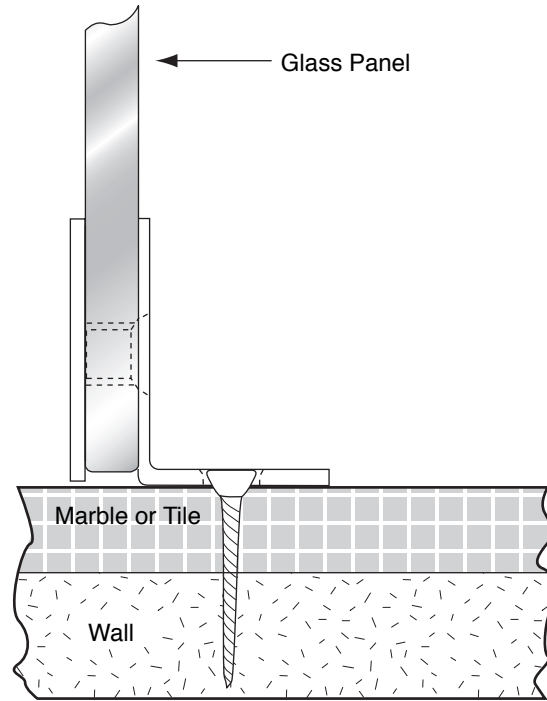
**Glass Thickness Range:** 3/8" (10 mm) to 1/2" (12mm) thick glass

**Hole Size Required:** 5/8" (16mm) or 3/4" (19mm) diameter

**Includes:** Mounting Screws and Gaskets  
**Templates Shown on Next Page**

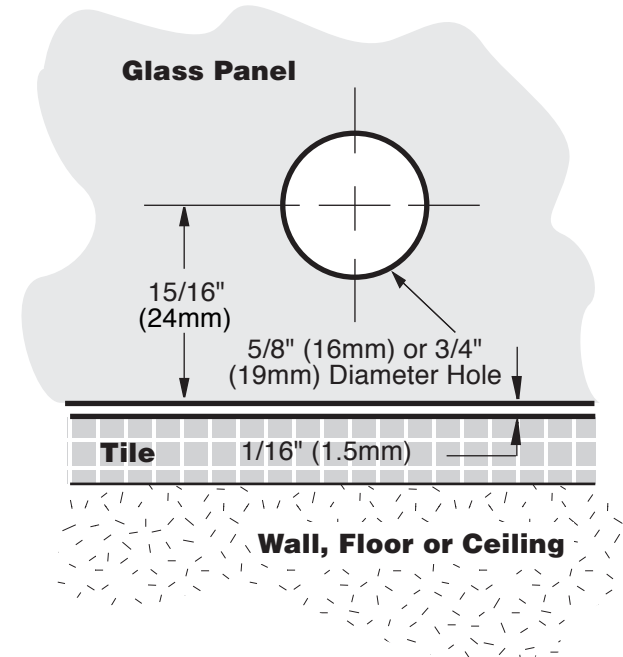


## TYPICAL INSTALLATION



## TEMPLATE

**Important:** Project measurements from the edge of the glass.



## GLASS CLAMPS

**THE TEMPLATE ON THIS PAGE APPLIES TO THE FOLLOWING CLAMPS:**

Fixed Panel Square with Small Leg

**Cat. No. SGC037**

Fixed Panel Beveled with Small Leg

**Cat. No. BGC037**

