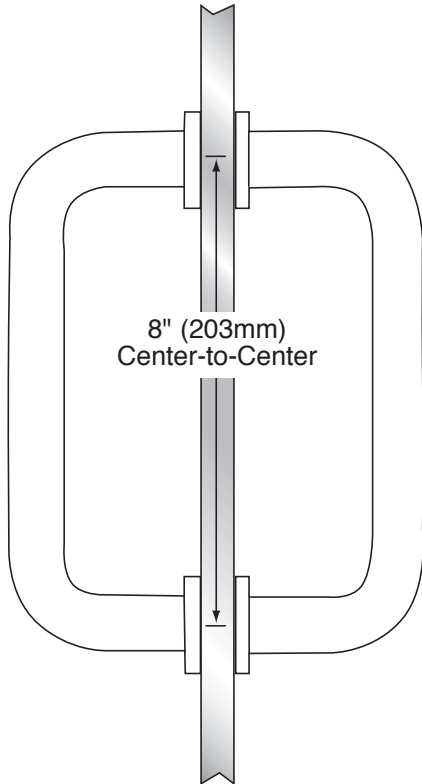




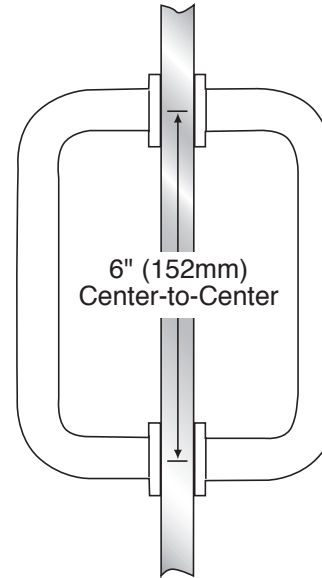
C.R. LAURENCE CO., INC.
PROFESSIONAL QUALITY

Specifications:

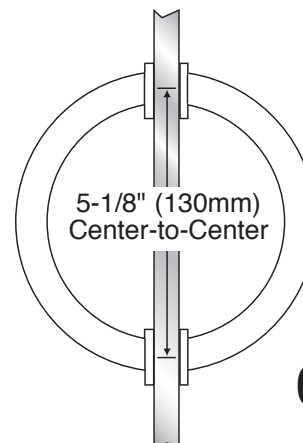
All Holes Are 1/2" (12mm) Diameter with exception of SBP81 which requires 5/8" (16mm) diameter.
All Measurements Are Center-To-Center
Appropriate Clear Gaskets Included
Fits 1/4" (6mm) to 1/2" (12mm) Glass



- CAT No. V1C8X8**
- CAT No. BM8X8**
- CAT No. BMNW8X8**
- CAT No. SPH8**
- CAT No. BPD8**
- CAT No. BPS8**
- CAT No. SBP81**
- CAT No. SSP8**
- CAT No. CSH8X8**
- CAT No. SQ8X8**
- CAT No. MT8X8**
- CAT No. COL8X8**
- CAT No. LP8X8**



- CAT No. BM6X6**
- CAT No. BMNW6X6**
- CAT No. BPD6**
- CAT No. BPS6**
- CAT No. SDPR6**
- CAT No. SPH6**
- CAT No. SSDP6**
- CAT No. SSP6**
- CAT No. CSH6X6**
- CAT No. LP6X6**
- CAT No. V1C6X6**
- CAT No. MT6X6**
- CAT No. SQ6X6**
- CAT No. COL6X6**



CAT No. SDPC575

DOOR PULLS

(Solid Brass or Tubular Brass Construction)

C.R. Laurence Co., Inc.
crlaurence.com

For technical assistance in the United States call toll free (800) 421-6144; from Canada call toll free (877) 421-6144;
Outside the U.S. and Canada call (323) 588-1281. Ask for Tech Sales at Extension 7740. Toll free fax (800) 458-7496.