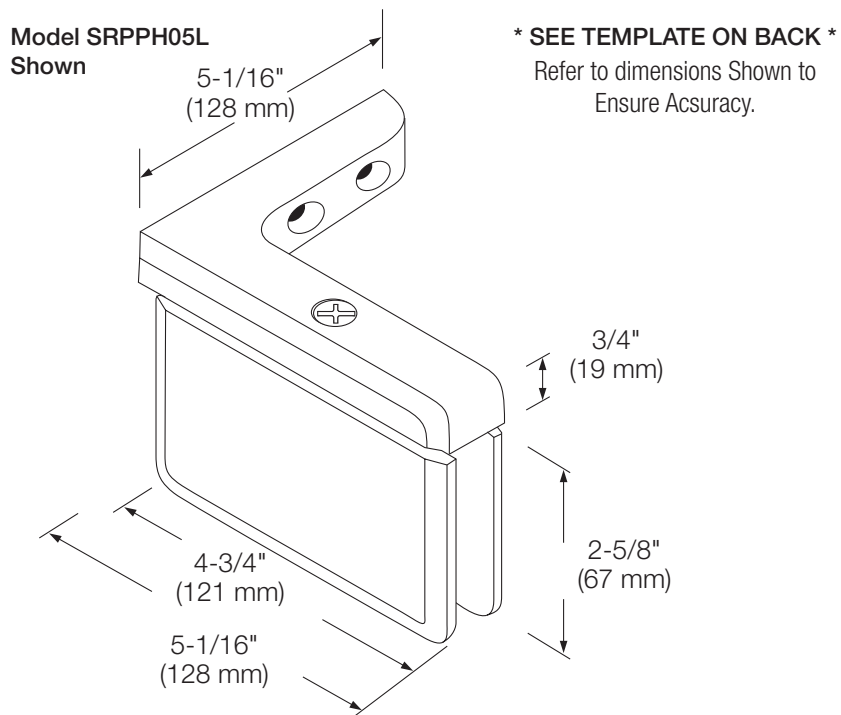




C.R. LAURENCE CO., INC.
PROFESSIONAL QUALITY



SENIOR PRIMA

Wall Mount Hinge

CAT. NO. SRPPH05L & SRPPH05R

*Maximum Door Capacities	1/2" (12mm) Glass	
	Weight	Width
Using 2 Hinges	145 lbs.(66 kg)	36"(914mm)

*NOTE: Do not exceed either maximum weight or width when choosing proper quantity of hinges.

C.R. Laurence Co., Inc.
crlaurence.com

For technical assistance in the United States call toll free (800) 421-6144; from Canada call toll free (877) 421-6144; Outside the U.S. and Canada call (323) 588-1281. Ask for Tech Sales at Extension 7740. Toll free fax (800) 458-7496.

Important Information:

Template Options: The Prima Wall Mount SRPPH05L or SRPPH05R Hinge offers two template options, depending upon the capabilities of the temperer (see lower left of this page). The Preferred Method allows a full vertical seal along the hinge side. The Alternate Method leaves a short leg of glass, thus not allowing a full length vertical seal.

Optional Pivot Pins: Optional 5° Pivot Pins (Cat. No. P1VP1N) are sold as a set, one pin for the top hinge and one pin for the bottom hinge. These 5° Offset Pivot Pins allow the installer to adjust the closing position of the door 5° inwards or outwards.

Specifications:

Glass Sizes: 5/16" (8mm) to 3/8" (10mm) thick tempered safety glass

Construction: Solid brass

Closing Type: Self-centering when within 15° of closed position

Cutout Required

Includes: Gaskets, screws and template

Use of Gaskets:

For 5/16"(8mm) Glass: Use one thick gasket and one thin gasket on each side

For 3/8"(10mm) Glass: Use one thick gasket on each side

Recommendations:

For public safety, we only recommend the use of tempered safety glass.

Do not use power tools when installing these hinges.

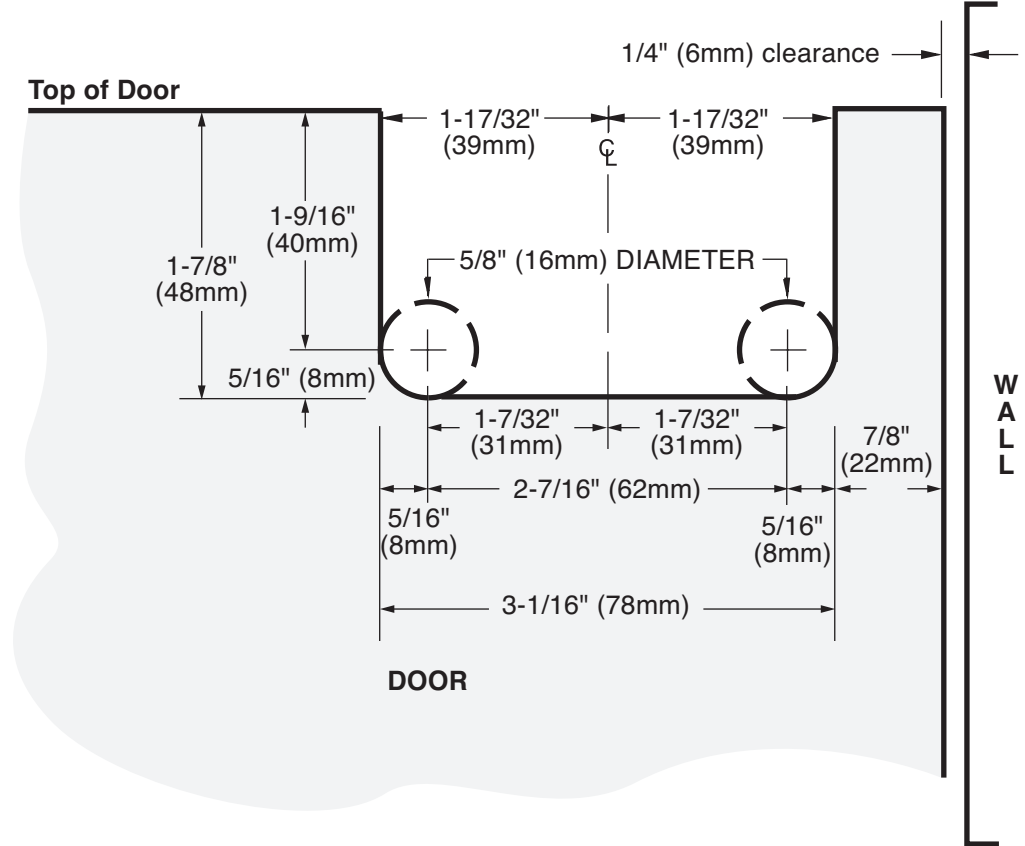
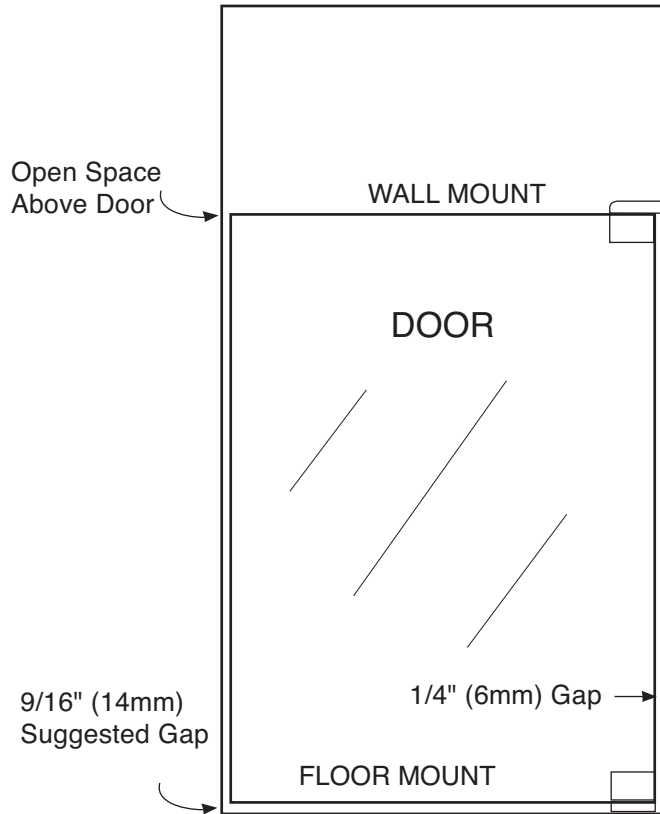
Maintenance Guidelines:

- Never use an abrasive cleaner on the hardware. Many of the components are coated with a clear lacquer that will be irreparably damaged if subjected to harsh, abrasive chemicals. Advise your customer that drying the hardware with a clean, soft towel on a daily basis is the best way to maintain the hardware. If mineral deposits build-up, mix a couple of drops of a mild liquid soap (such as Ivory or a similar product) into a cup of warm water. Using a soft, non-abrasive cloth, clean the hardware. Rinse thoroughly with clean, warm water and dry.

4H-8K



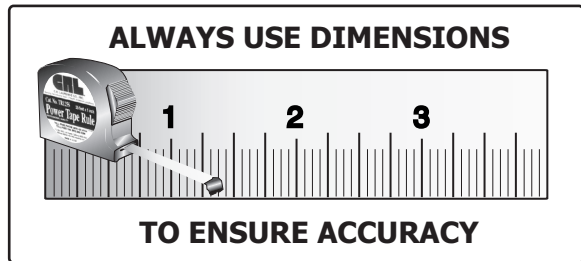
C.R. LAURENCE CO., INC.
PROFESSIONAL QUALITY



SENIOR PRIMA

Wall Mount Hinge

Cat. No. SRPPH05L & SRPPH05R



C.R. Laurence Co., Inc.
crlaurence.com

For technical assistance in the United States call toll free (800) 421-6144; from Canada call toll free (877) 421-6144; Outside the U.S. and Canada call (323) 588-1281. Ask for Tech Sales at Extension 7740. Toll free fax (800) 458-7496.

4H-8L