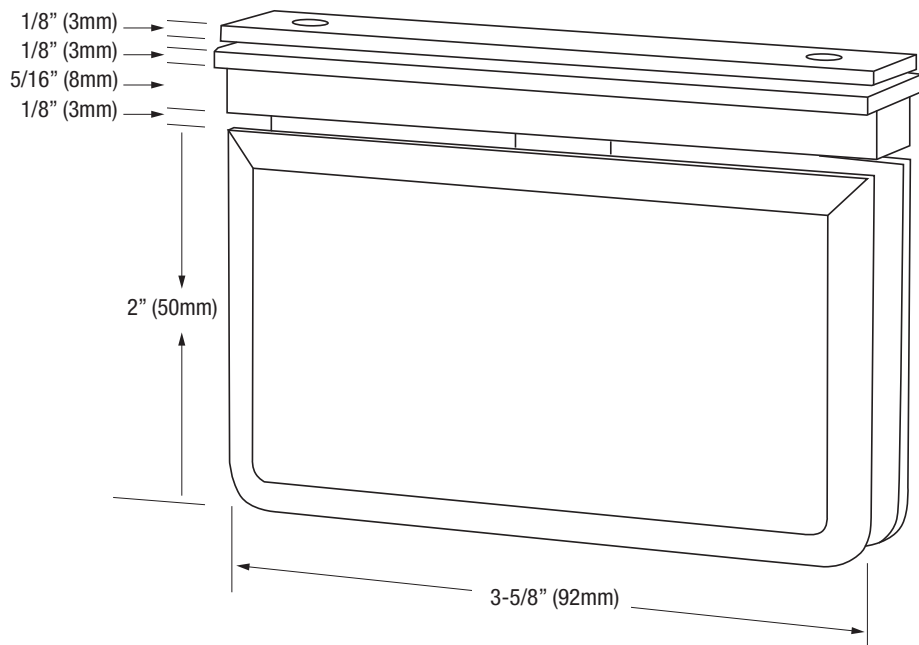




**C.R. LAURENCE CO., INC.**  
PROFESSIONAL QUALITY



# PRIMA

## EZ-Adjust Header Mount Hinge

### Cat. No. PPH06

Edge Mount Preferred Method	Page 4G-36
Edge Mount Alternate Method	Page 4G-37
Inset Mount Method	Page 4G-38

*Maximum Door Capacities	5/16" (8mm) Glass		3/8" (10mm) Glass	
	Weight	Width	Weight	Width
Using 2 Hinges	100 lbs.(46 kg)	31"(787mm)	100 lbs.(46 kg)	31"(787mm)

**\*NOTE:** Do not exceed either maximum weight or width when choosing proper quantity of hinges.

## Important Information:

**Template Options:** The Prima EZ-Adjust Header Mount PPH06 Hinge offers three template options, depending upon the capabilities of the temperer (see lower left of this page). The Preferred Method allows a full vertical seal along the hinge side. The Alternate Method leaves a short leg of glass, thus not allowing a full length vertical seal. The Inset Mount Template is beneficial for two reasons. It allows a full length vertical seal. Also, by inseting the hinge a certain distance towards the center of the door, it enables the door to avoid hitting a towel bar, or some other protrusion from the wall.

## Specifications:

- Glass Sizes:** 5/16" (8mm) to 3/8" (10mm) thick tempered safety glass
- Construction:** Solid brass
- Closing Type:** Self-centering when within 15° of closed position
- Cutout Required**
- Includes:** Gaskets, screws and template

## Use of Gaskets:

- For 5/16"(8mm) Glass:** Use one thick gasket and one thin gasket on each side
- For 3/8"(10mm) Glass:** Use one thick gasket on each side

## Recommendations:

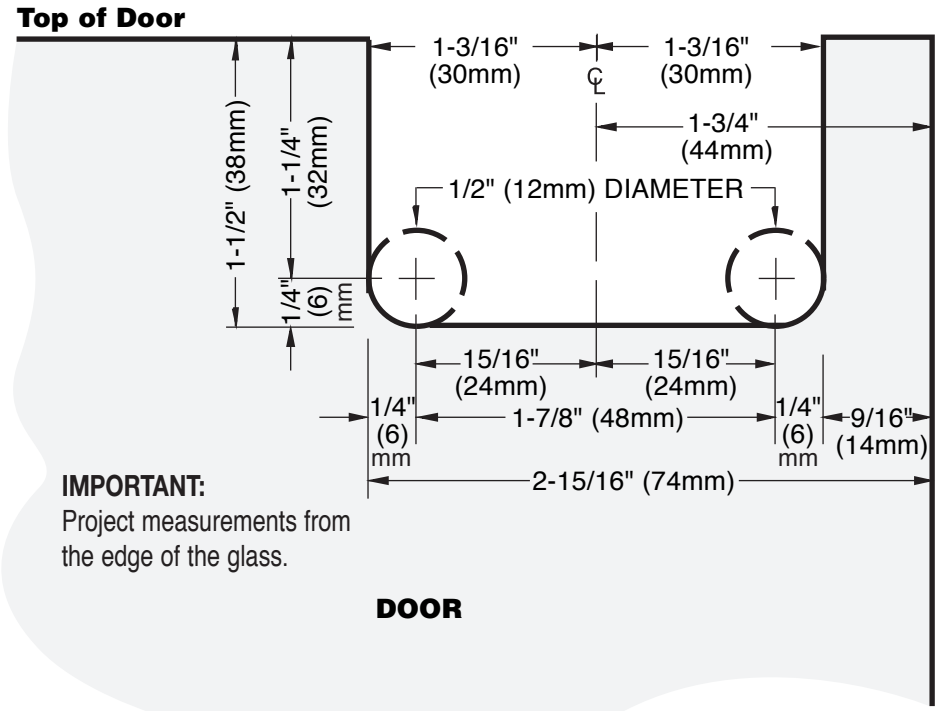
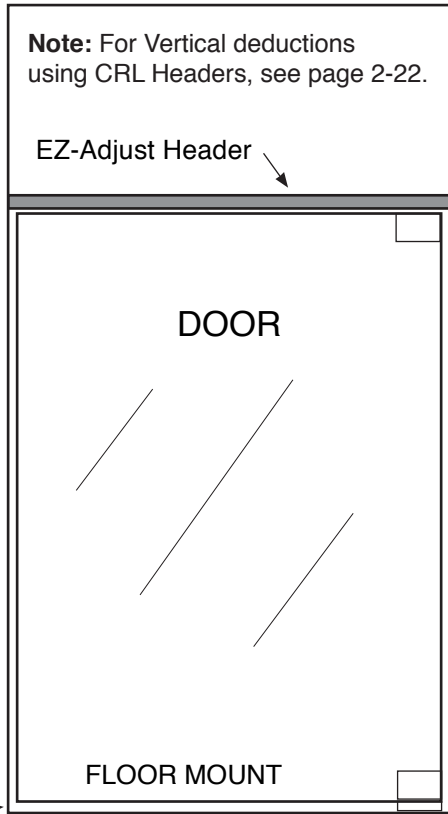
For public safety, we only recommend the use of tempered safety glass. Do not use power tools when installing these hinges.

## Maintenance Guidelines:

- Never use an abrasive cleaner on the hardware. Many of the components are coated with a clear lacquer that will be irreparably damaged if subjected to harsh, abrasive chemicals. Advise your customer that drying the hardware with a clean, soft towel on a daily basis is the best way to maintain the hardware. If mineral deposits build-up, mix a couple of drops of a mild liquid soap (such as Ivory or a similar product) into a cup of warm water. Using a soft, non-abrasive cloth, clean the hardware. Rinse thoroughly with clean, warm water and dry.



**C.R. LAURENCE CO., INC.**  
PROFESSIONAL QUALITY

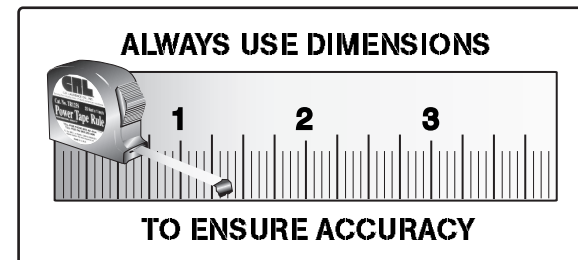


# PRIMA

## EZ-Adjust Header Mount Hinge

### Cat. No. PPH06

EZ-Adjust Header Mount Preferred Method





**C.R. LAURENCE CO., INC.**  
PROFESSIONAL QUALITY

**Note:** For Vertical deductions using CRL Headers, see page 2-22.

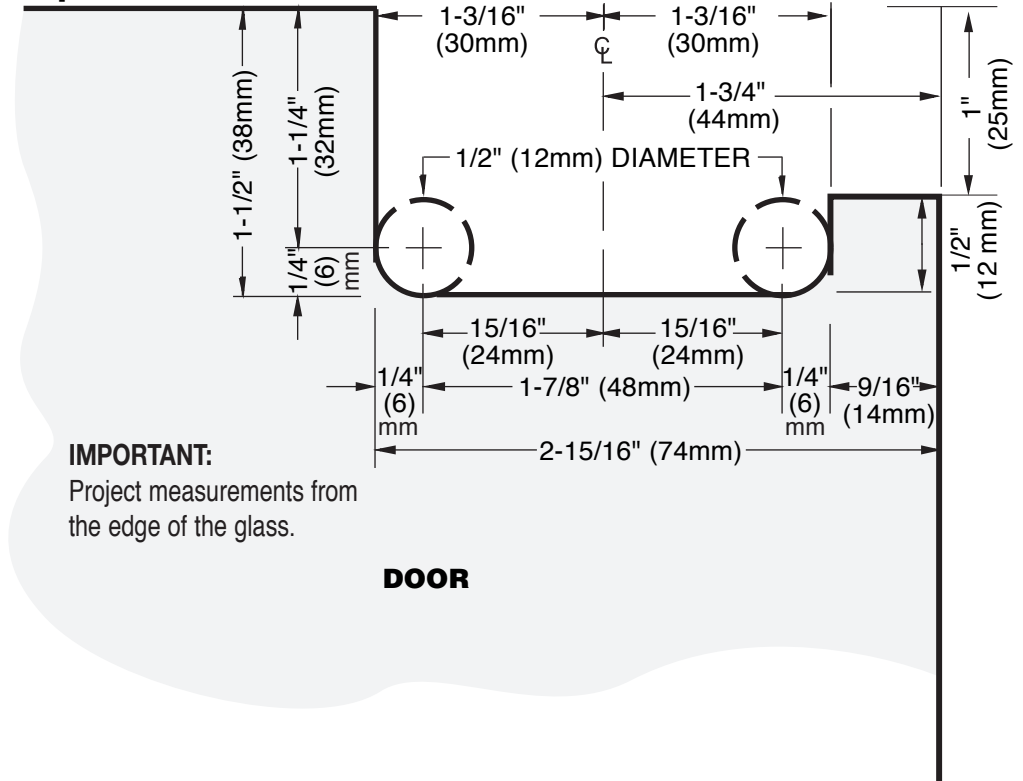
EZ-Adjust Header

DOOR

FLOOR MOUNT

7/16" (11mm)  
Suggested Gap

**Top of Door**



**IMPORTANT:**

Project measurements from the edge of the glass.

DOOR

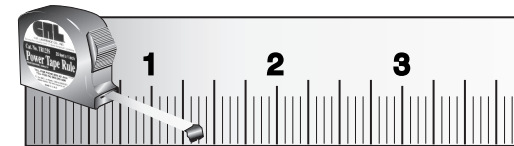
# PRIMA

EZ-Adjust Header Mount Hinge

**Cat. No. PPH06**

EZ-Adjust Header Mount Alternate Method

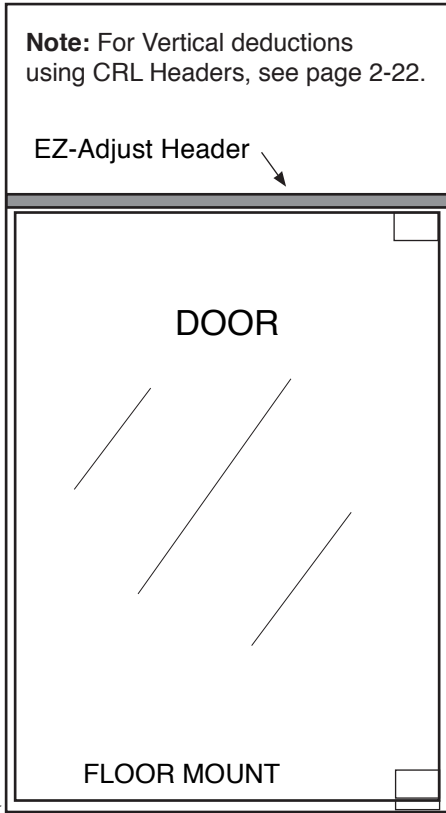
**ALWAYS USE DIMENSIONS**



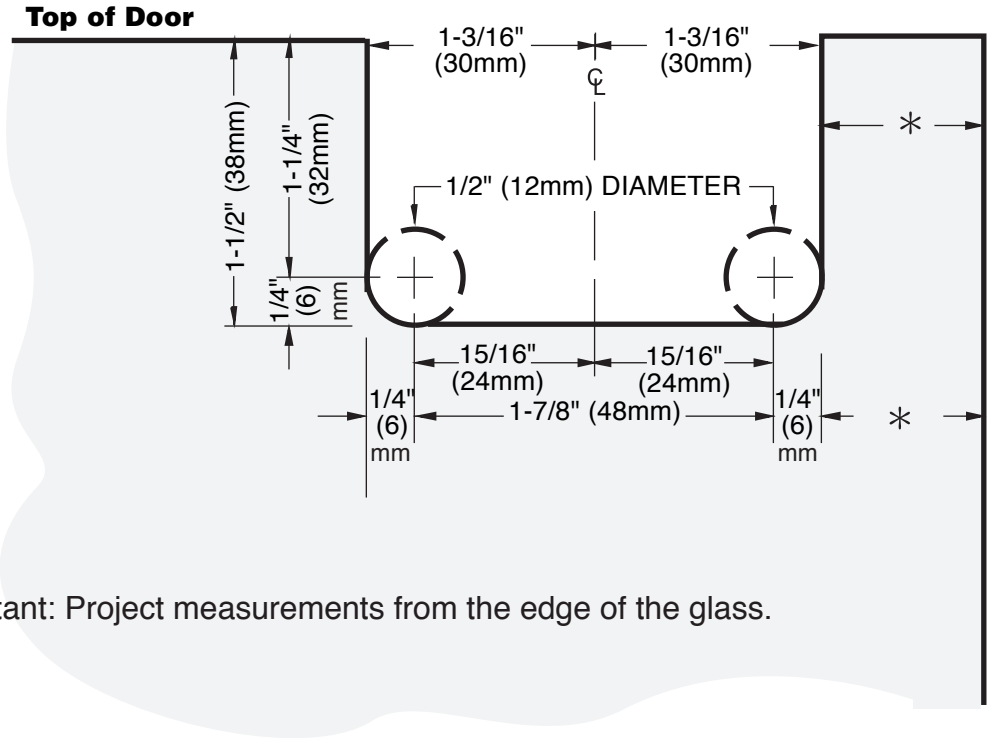
**TO ENSURE ACCURACY**



**C.R. LAURENCE CO., INC.**  
PROFESSIONAL QUALITY



\*This measurement varies depending on the amount of inset you desire.



Important: Project measurements from the edge of the glass.

# PRIMA

EZ-Adjust Header Mount Hinge

**Cat. No. PPH06**

EZ-Adjust Header Mount Inset Method

