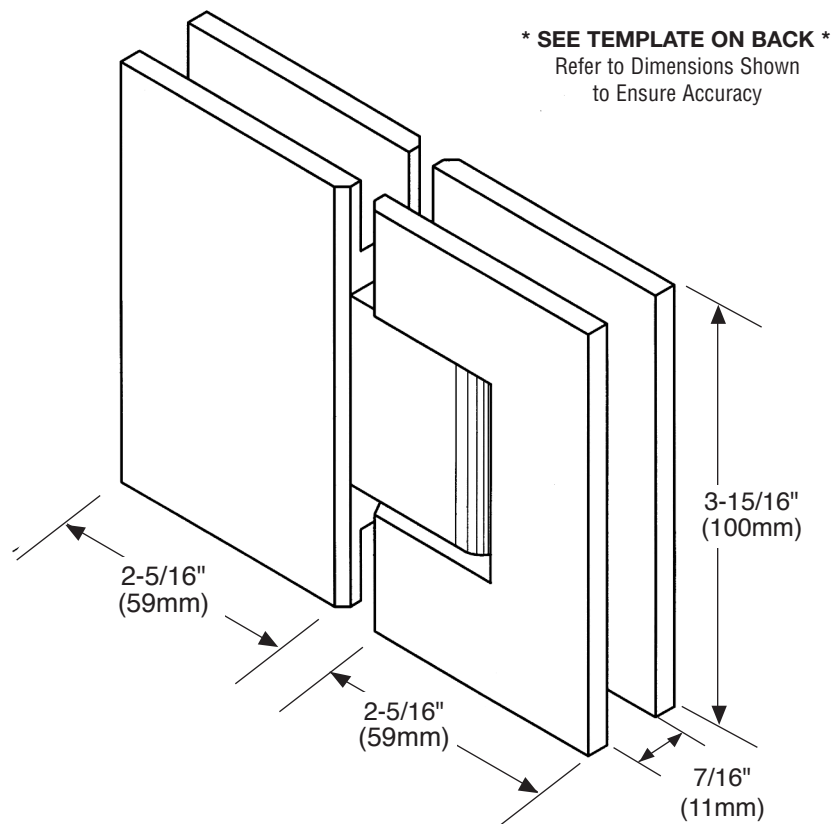




C.R. LAURENCE CO., INC.
PROFESSIONAL QUALITY



VIENNA

180° Glass-to-Glass Hinge (5° Offset)

Cat. No. V1E580

*Maximum Door Capacities	3/8" (10mm) Glass		1/2" (12mm) Glass	
	Weight	Width	Weight	Width
Using 2 Hinges	110 lbs.(50 kg)	36"(914mm)	110 lbs.(50 kg)	36"(914mm)
Using 3 Hinges	140 lbs.(64 kg)	36"(914mm)	140 lbs.(64 kg)	36"(914mm)

*NOTE: Do not exceed either maximum weight or width when choosing proper quantity of hinges.

Important Information:

1) This hinge contains a dual degree pivot pin. The pivot pin is set for the door to close 5 degrees inward from the normal closing position. You have the option of altering the closing position of the door 5 degrees (back to normal closing position) by utilizing the opposite side of the pivot pin, which has been pre-machined (see Section 3 of Cat. No. SDT21 Frameless Shower Door Guide for this procedure). Special order custom pivot pins are available (Cat.No. VIEP1N) that can be machined at any angle up to 45 degrees.

2) The Vienna Hinge is designed to accommodate two types of cut-outs in the glass. If the two steel pins in the body of the Hinge are left in place, the "mouse ear" cut-out option should be used. This application is recommended to prevent slippage. If the two steel pins are removed, the rectangular cut-out option can be utilized.

Specifications:

Glass Sizes: 3/8" (10mm) to 1/2" (12mm) thick tempered safety glass

Construction: Solid brass

Closing Type: Self-centering when within 15° of closed position

Cut-out Required

Includes: Gaskets, screws and template

Use of Gaskets:

For 3/8" (10mm) Glass: Use one thick gasket on each side

For 1/2" (12mm) Glass: Use one thin gasket on each side

Recommendations:

For public safety, we recommend the use of only tempered safety glass. Do not use power tools when installing these hinges.

Maintenance Guidelines:

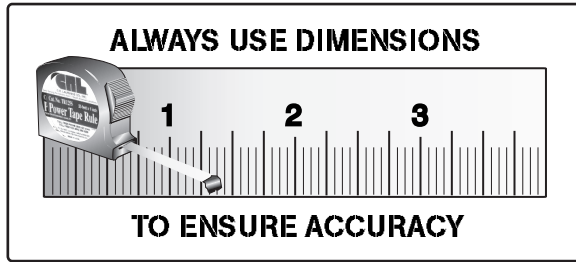
- Our hinges are greased at the factory for quiet and trouble-free operation. If there is any squeaking that occurs after installation, put a drop of "3 in 1 Oil" (also known as "household oil") on the white nylon washer that the hinge body pivots on. This washer is the component that acts as a buffer, so the body of the hinge doesn't pivot directly on the brass center block. This solution doesn't require the disassembly of the hinge.

Note: Do not use spray lubricant on these hinges. If the hinge has been disassembled, upon re-assembly, use white lithium grease to lubricate the interior mechanism.

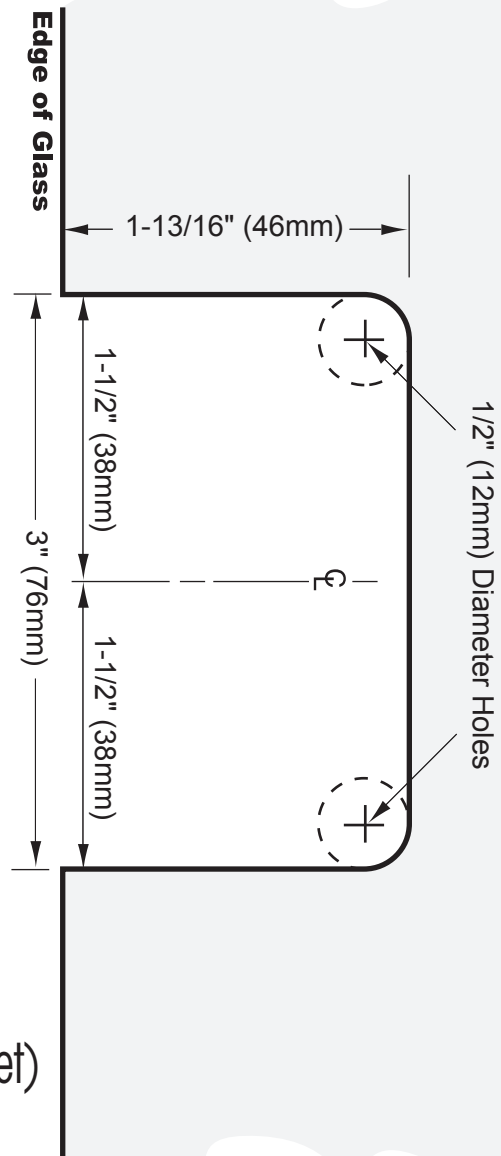
- Never use an abrasive cleaner on the hardware. Many of the components are coated with a clear lacquer that will be irreparably damaged if subjected to harsh, abrasive chemicals. Advise your customer that drying the hardware with a clean, soft towel on a daily basis is the best way to maintain the hardware. If mineral deposits build-up, mix a couple of drops of a mild liquid soap (such as Ivory or a similar product) into a cup of warm water. Using a soft, non-abrasive cloth, clean the hardware. Rinse thoroughly with clean, warm water and dry.



C.R. LAURENCE CO., INC.
PROFESSIONAL QUALITY

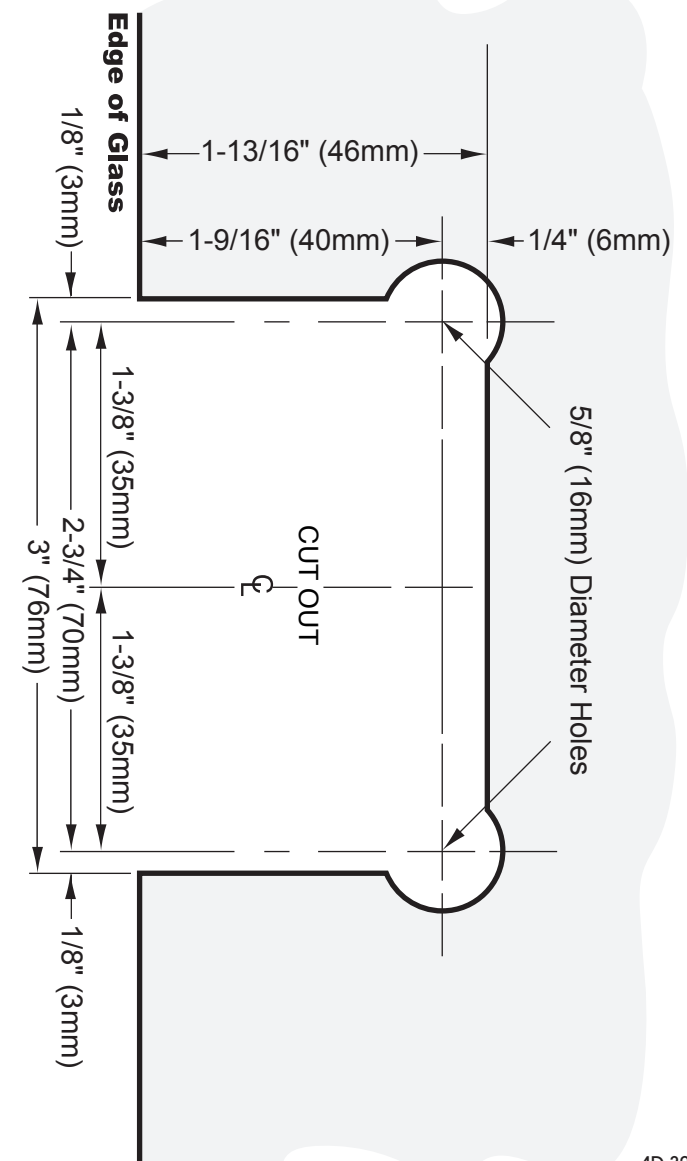


**Rectangular
Cut-out Option**



IMPORTANT:
Project measurements from
the edge of the glass.

**"Mouse-Ear"
Cut-out Option**



VIENNA

180° Glass-to-Glass Hinge (5° Offset)

CAT. No. V1E580

C.R. Laurence Co., Inc.
crlaurence.com

For technical assistance in the United States call toll free (800) 421-6144; from Canada call toll free (877) 421-6144; Outside the U.S. and Canada call (323) 588-1281. Ask for Tech Sales at Extension 7740. Toll free fax (800) 458-7496.